

## HP Counterbalanced Floorstand HD

Item no.: 8220

### Stand system with manual height adjustment

The HP Counterbalanced Floorstand HD is a stand system with manual height adjustment. The stand system is suitable for screens and whiteboards with a size of 70 - 90" | 178 - 229 cm screen diagonal. The included VESA mount can be equipped up to a maximum of VESA 800 x 600 mm.

The height of the system is infinitely variable, thanks to a mechanism that can be adjusted to the weight of the device. The screen holds - without locking - safely at the desired height.

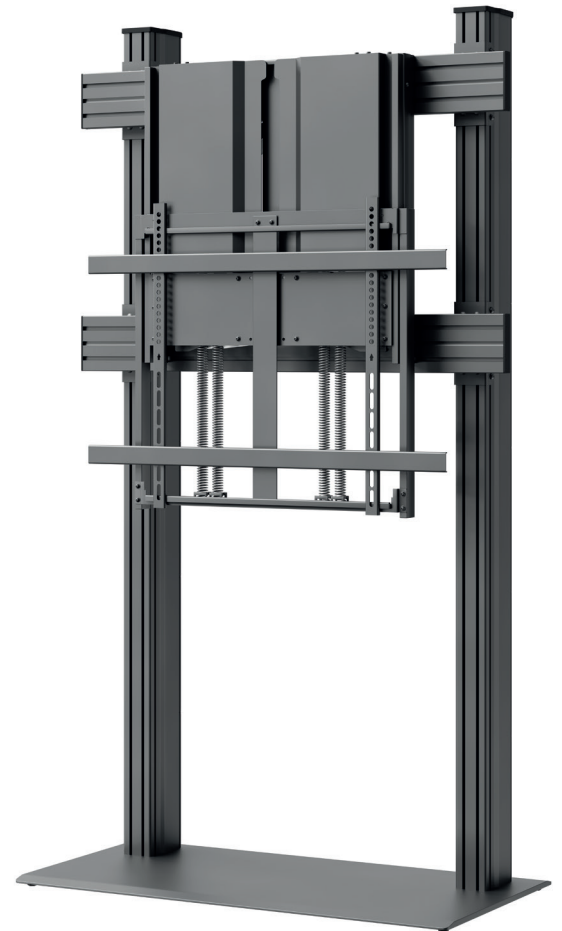
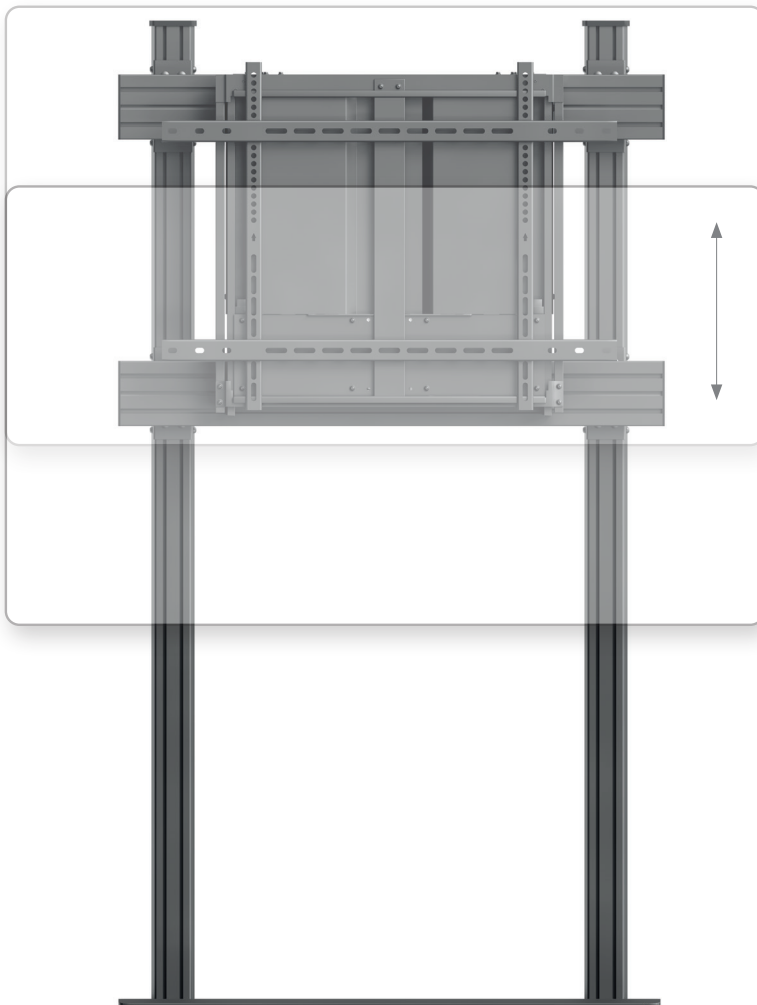
The travel distance is 400 mm.

The load capacity can be adapted to the weight of the device and is between a minimum of 60 and a maximum of 90 kg.

The adjustable feet have a level control to compensate for small unevenness in the floor.

The surfaces of the HP Counterbalanced Floorstand are finished with a solvent free, impact and scratch resistant powder coating in black.

As an alternative the HP Counterbalanced Floorstand is available.



# HP Counterbalanced Floorstand HD

Item no.: 8220

## Stand system with manual height adjustment

- suitable for screens and whiteboards
- 70 - 90" | 178 - 229 cm
- installation in landscape format
- VESA holders up to max. VESA 800 x 600 mm
- manual height adjustment thanks to adjustable to device weight mechanism
- very smooth adjustability
- continuously height adjustable
- 400 mm travel way
- incl. levelling feet
- cable covers on the back of the column
- screen holds securely at the desired height
- load adjustable to device weight
- for screens with a weight from 60 - 90 kg
- solvent free, impact and scratch resistant powder coating in black
- option: Weight plates  
Additional Counterbalance weight plate 10 kg  
Item no.: 2275  
Additional Counterbalance weight plate 20 kg  
Item no.: 2276

